



**Sparkle Power Inc.**  
A Leading Power Supply Manufacturer  
Web site: [www.sparklepower.com](http://www.sparklepower.com)

**MAGNA 1200(R-SPM1200AXJ8)**  
**(80 Plus Bronze and RoHS Compliant)**  
**1200 Watts ATX12V & EPS12V Switching Power Supply**

**Features**

- Complied with ATX12V and EPS12V standard
- Active Power Factor Correction (PFC) meet EN61000-3-2
- High efficiency and reliability
- Compatible with European Union Directive 2002/95/EC (Restriction on Hazardous Substances).
- Remote ON/OFF function
- Internal 12V DC fan included
- Noise Killer (thermal fan speed control function)
- Low noise and ripple
- Output over voltage, short circuit, and over current protection
- 100% Hi-pot, ATE, and burn-in tested
- Re-settable power shut down
- Complies with FCC part 15 subpart J class B 115Vac operation, and CISPR 22 class B at 230Vac operation
- Approved by UL/CUL 60950-1, CB,CE,TUV, Nemko ,FCC

**Input Characteristics**

**Input Range:** 90 ~ 264Vac, Full Range Input  
**Frequency:** 47 ~ 63Hz  
**Input Current:** Max 15A @ 115Vac, 7.5A @ 230Vac  
**Inrush Current:** No damage

**Output Characteristics**

| Output Voltage | Minimum Load | Normal Load | Maximum Load | Load Reg. | Ripple & Noise |
|----------------|--------------|-------------|--------------|-----------|----------------|
| +3.3V          | 0.0A         | 15A         | 30A          | ± 5%      | 100mV P-P      |
| +5V            | 0.0A         | 15A         | 30A          | ± 5%      | 100mV P-P      |
| +12V1~+12V6    | 0.0A         | 10A         | 20A          | ± 5%      | 240mV P-P      |
| -12V           | 0.0A         | 0.3A        | 0.6A         | ± 10%     | 240mV P-P      |
| +5Vsb          | 0.0A         | 2.0A        | 4.0A         | ± 5%      | 100mV P-P      |

- \* +3.3V and +5V total output not exceed 210W.
- \* Maximum combined current for the 12V outputs shall be 90 A.
- \* Total output for this subject power supply is 1200W

**Sparkle Power Inc.**  
**Main Office**  
1000 Rock Avenue  
San Jose, CA 95131  
TEL: 408-519-8888  
FAX: 408-519-9999  
E-MAIL: [info@sparklepower.com](mailto:info@sparklepower.com)

**Sparkle Power Inc.**  
**Los Angeles Office**  
17071 Green Drive  
City of Industry, CA 91745  
TEL: 626-839-7180  
FAX: 626-839-3395



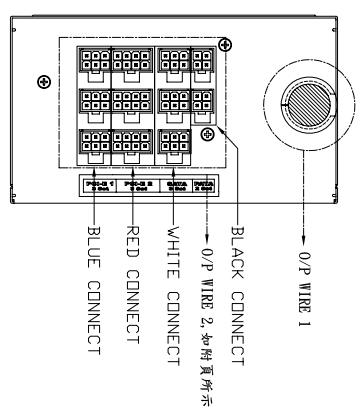
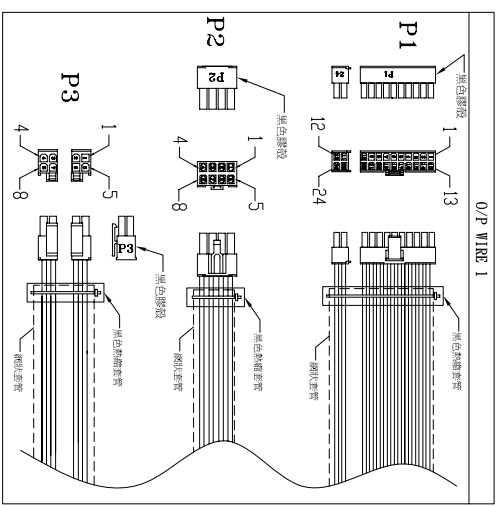
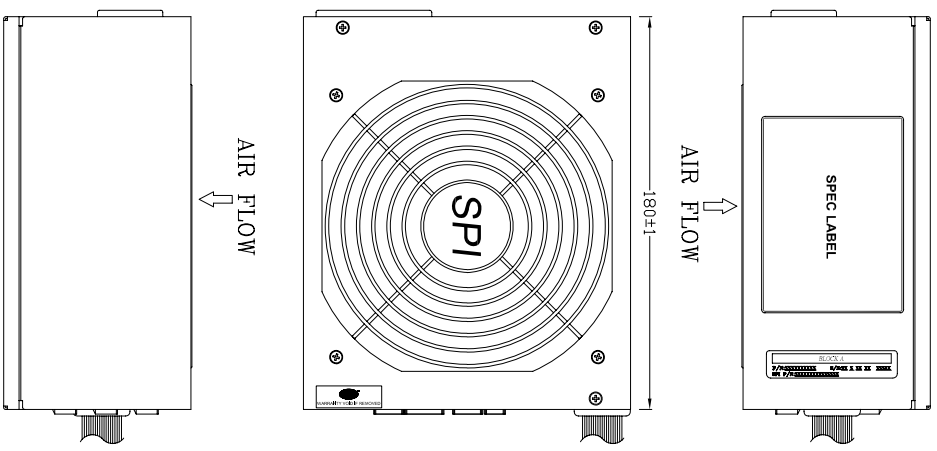
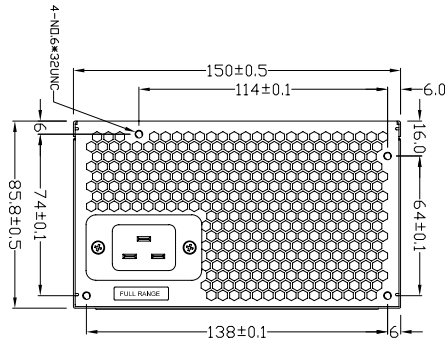
**Specification**

- **Temperature Range:** Operating: 0°C ~ +50°C ; 1200W at 30°C, De-rate 10W/°C from 50°C to 30°C ,1000W at 50°C.  
Storage & shipping: -20°C ~ +80°C
- **Humidity:** 5%~95% on operating, 5%~ 95% on storage
- **Dielectric Withstand:** Primary frame ground 1800V AC for 1 second
- **Efficiency:** typical > 85%
- **Rise time:** Less than 20ms
- **Hold-up Time:** 17ms minimum at nominal input voltage
- **Power Good Signal:** Power on delay time 100 ~ 500ms, off delay 1ms minimum (TTL and CMOS compatible)
- **Leakage Current:** Less than 3.5mA.
- **MTBF:** 100,000 hours on maximum load at +25°C
- **Dimensions (LxWxH):** 180x150x85.8mm/7.1x5.9x3.4inch

| REF. ID. | PIN NO. | SIGNAL     | WIRE COLOR | GUAGE | CONNECTOR TYPE                                | CABLE LENGTH    |
|----------|---------|------------|------------|-------|---|-----------------|
| P1       | 1       | +3.3V      | ORANGE     | 18    | P30-143008K11D<br>+P4-143008K11D<br>or EQUIV. | 500 $\pm$ 20 mm |
|          | 2       | +3.3V      | ORANGE     | 18    |   |                 |
|          | 3       | COM        | BLACK      | 18    |   |                 |
|          | 4       | +5V        | RED        | 18    |   |                 |
|          | 5       | +5Vsense   | RED        | 24    |   |                 |
|          | 6       | COM        | BLACK      | 18    |   |                 |
|          | 7       | COMsense   | BLACK      | 24    |   |                 |
|          | 8       | +5V        | RED        | 18    |   |                 |
|          | 9       | COM        | BLACK      | 18    |   |                 |
|          | 10      | PWR_ON     | GRAY       | 24    |   |                 |
|          | 11      | +5Vsb      | PURPLE     | 18    |   |                 |
|          | 12      | +12V1      | YELLOW     | 18    |   |                 |
|          | 13      | +3.3V      | ORANGE     | 18    |   |                 |
|          | 14      | +3.3Vsense | ORANGE     | 24    |   |                 |
|          | 15      | -12V       | BLUE       | 24    |   |                 |
|          | 16      | COM        | BLACK      | 18    |   |                 |
|          | 17      | PS_ON      | GREEN      | 24    |   |                 |
|          | 18      | COM        | BLACK      | 18    |   |                 |
|          | 19      | COM        | BLACK      | 18    |   |                 |
|          | P2      | 20         | COM        | BLACK |   |                 |
| 21       |         | +5V        | RED        | 18    |   |                 |
| 22       |         | +5V        | RED        | 18    |   |                 |
| 23       |         | +5V        | RED        | 18    |   |                 |
| 24       |         | COM        | BLACK      | 18    |   |                 |
| 1        |         | COM        | BLACK      | 18    |   |                 |
| 2        |         | COM        | BLACK      | 18    |   |                 |
| 3        |         | COM        | BLACK      | 18    |   |                 |
| P3       | 4       | COM        | BLACK      | 18    | P4-142002K3B<br>+P4-142002K4B<br>or EQUIV.    | 500 $\pm$ 20 mm |
|          | 5       | +12V2      | YEL./BLACK | 18    |   |                 |
|          | 6       | +12V2      | YEL./BLACK | 18    |   |                 |
|          | 7       | +12V2      | YEL./BLACK | 18    |   |                 |
|          | 8       | +12V2      | YEL./BLACK | 18    |   |                 |
|          | 1       | COM        | BLACK      | 18    |   |                 |
|          | 2       | COM        | BLACK      | 18    |   |                 |
|          | 3       | COM        | BLACK      | 18    |   |                 |

| REF. ID.    | SIGNAL | CABLE LENGTH    |
|-------------|--------|-----------------|
| P4 & P7     | +12V3  | 500 $\pm$ 20 mm |
| P5 & P8     | +12V4  | 500 $\pm$ 20 mm |
| P6 & P9     | +12V5  | 500 $\pm$ 20 mm |
| P10&P14&P17 | +12V6  | 500 $\pm$ 20 mm |
| P11&P12&P13 | +12V6  | 150 $\pm$ 10 mm |
| P15&P16     | +12V6  | 150 $\pm$ 10 mm |
| P18&P19     | +12V6  | 150 $\pm$ 20 mm |
| P20& P24    | +12V6  | 500 $\pm$ 20 mm |
| P21&P22&P23 | +12V6  | 150 $\pm$ 10 mm |
| P25&P26&P27 | +12V6  | 150 $\pm$ 10 mm |

UNIT:mm



NOTE:

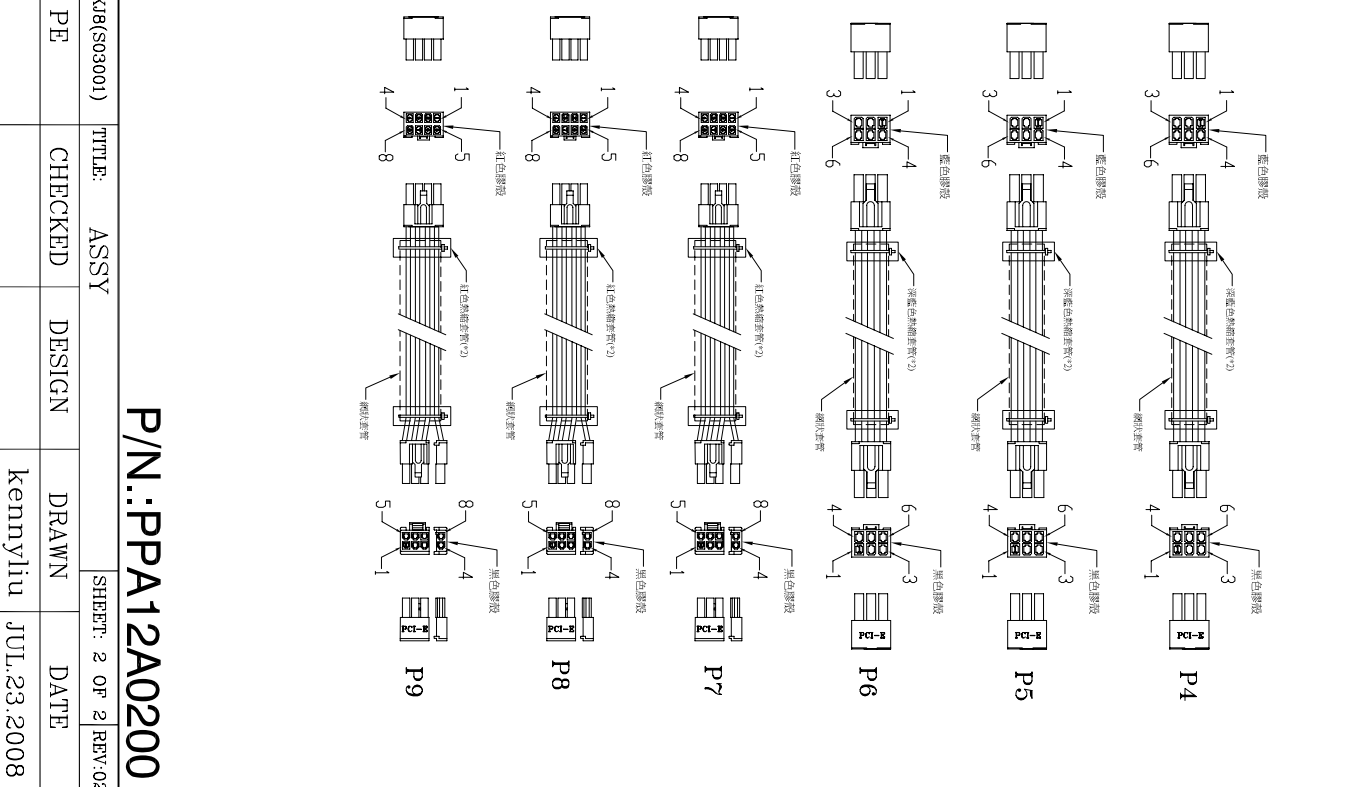
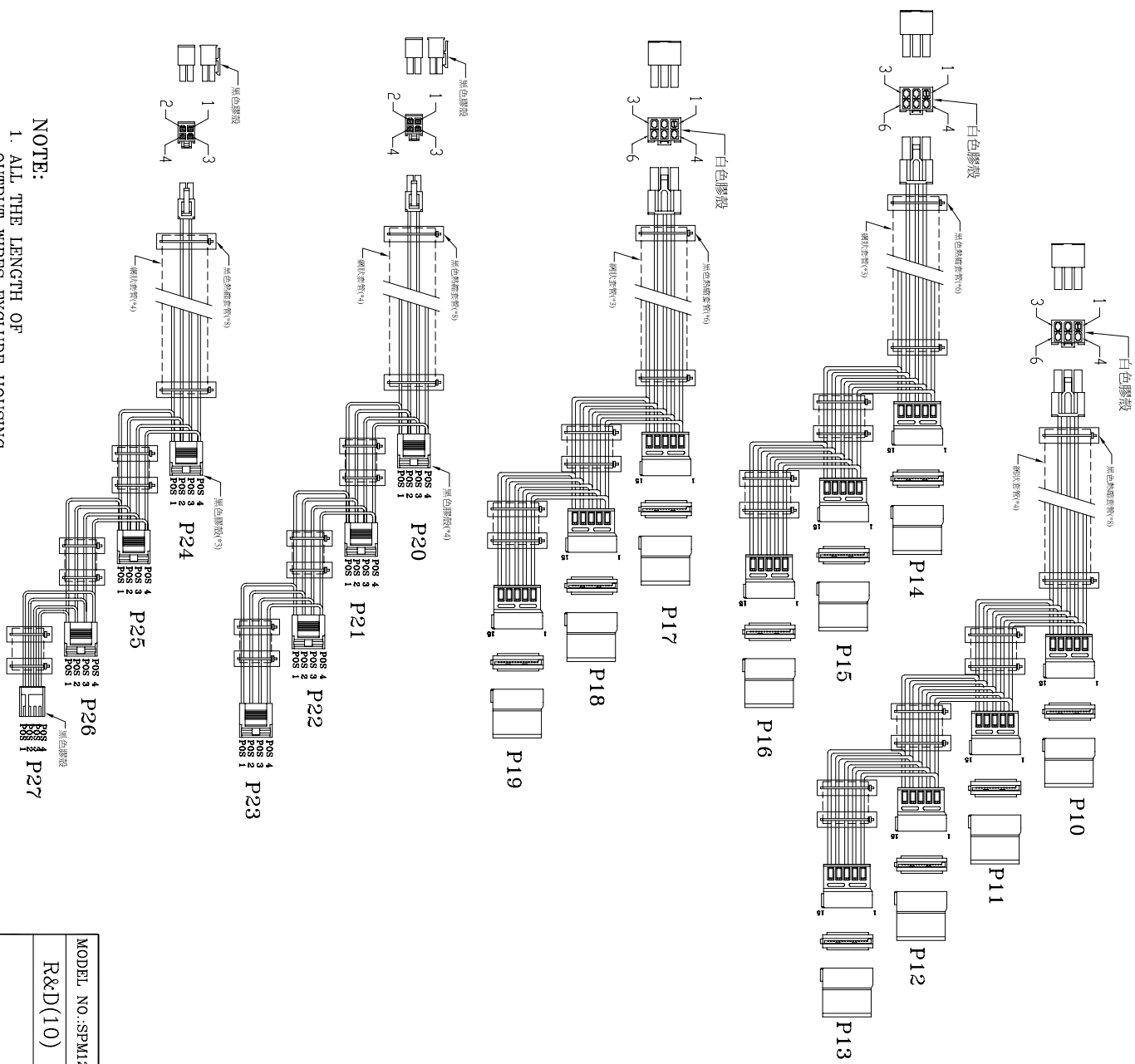
1. ALL THE LENGTH OF OUTPUT WIRES EXCLUDE HOUSING.
2. 產地標籤依業務指示加貼.
3. CASE顏色為BLACK C 2X加噴光漆

P/N.:PPA12A0200

|                               |             |               |
|-------------------------------|-------------|---------------|
| MODEL NO.:SPM1200AX18(S03001) | TITLE: ASSY | SHEET: 1 OF 2 |
| R&D(10)                       | PE          | CHECKED       |
|                               |             | DESIGN        |
|                               |             | DRAWN         |
|                               |             | DATE          |
|                               |             | kennyliu      |
|                               |             | JUL.23.2008   |

所有網狀套管皆用黑色金邊編織網

UNIT:mm



P/N.:PPA12A0200

NOTE:  
1. ALL THE LENGTH OF OUTPUT WIRES EXCLUDE HOUSING.  
2. 產地標籤依業務指示加貼:

|                               |             |               |             |
|-------------------------------|-------------|---------------|-------------|
| MODEL NO.:SPM1200AX18(S03001) | TITLE: ASSY | SHEET: 2 OF 2 | REV:02      |
| R&D(10)                       | PE          | CHECKED       | DESIGN      |
|                               |             |               | DRAWN       |
|                               |             |               | DATE        |
|                               |             |               | JUL.23.2008 |
|                               |             |               |             |