



Sparkle Power Inc.
 A Leading Power Supply Manufacturer
 Web site: www.sparklepower.com



SPI180LE
(Active PFC, RoHS Compliant)
180 Watts Flex ATX Switching Power Supply

Features

- Complied with Flex ATX and ATX12V standard
- Active Power Factor Correction (PFC) meet EN61000-3-2
- High efficiency and reliability
- Compatible with European Union Directive 2002/95/EC (Restriction on Hazardous Substances).
- Remote ON/OFF function
- Internal 12V DC fan included
- Low noise and ripple
- Output over voltage, short circuit, and over current protection
- 100% Hi-pot, ATE, and burn-in tested
- Re-settable power shut down
- Complies with FCC part 15 subpart J class B 115Vac operation, and CISPR 22 class B at 230Vac operation
- Approved by CUL/UL60950-1, TUV EN60950-1 , NEMKO EN60950-1 (CB Report) CE

Input Characteristics

Input Range: 90 ~ 265Vac (RMS), Full Range Input
Frequency: 47 ~ 63Hz
Input Current: Max 4A (RMS) @ 115Vac, 2A (RMS) @ 230Vac
Inrush Current: No damage.

Output Characteristics

Specification

- **Temperature Range:** Operating: 0°C ~ +50°C; storage & shipping: -20°C ~ +80°C
- **Humidity:** 85% on operating, 95% on storage
- **Dielectric Withstand:** Primary frame ground 1800V AC for 1 second
- **Efficiency:** 68% at minimum measured at nominal AC main voltage and frequency with maximum load on all output
- **Rise time:** Less than 20ms
- **Hold-up Time:** 17ms minimum at nominal input voltage
- **Power Good Signal:** Power on delay time 100 ~ 500ms, off delay 1ms minimum (TTL and CMOS compatible)
- **Leakage Current:** Less than 3.5mA at 264Vac, 50Hz
- **MTBF:** 100,000 hours on maximum load at +25°C
- **Dimensions (LxWxH):** 150x81.5x40.5mm /6x3.2x1.6inch

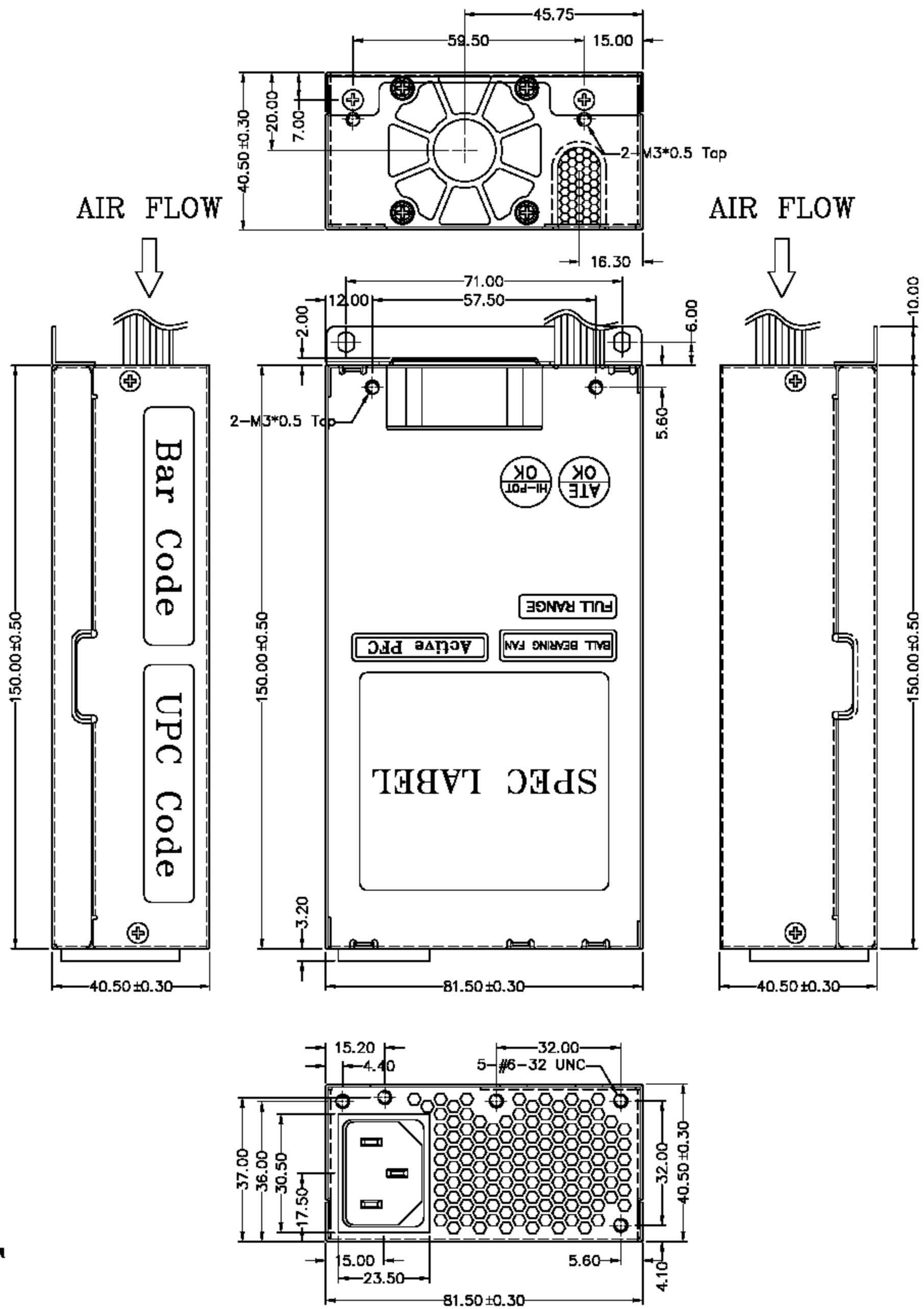
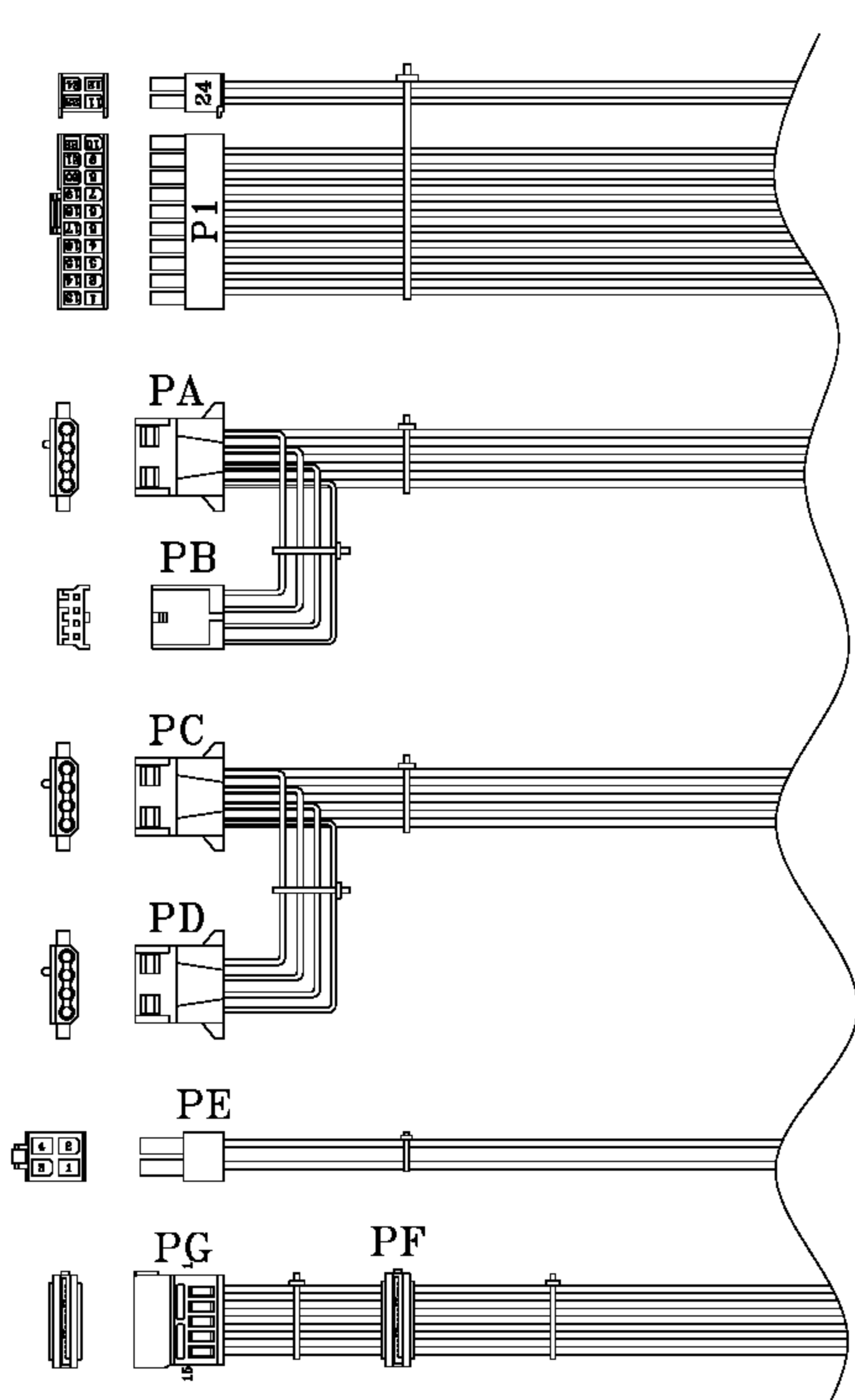
Output Voltage	Minimum Load	Normal Load	Maximum Load	Load Reg.	Line Reg.	Ripple & Noise
+3.3V	0.3A	7A	14A	± 5%	± 1%	50mV P-P
+5V	0.3A	8A	16A	± 5%	± 1%	50mV P-P
+12V	1.5A	7A	14A	± 5%	± 1%	120mV P-P
-12V	0.0A	0.25A	0.5A	± 10%	± 1%	120mV P-P
+5Vsb	0.0A	1.0A	2.0A	± 5%	± 1%	50mV P-P

*+3.3V and +5V total output not exceed 90W
 * Total output for this subject power supply is 180W

Sparkle Power Inc.
Main Office
 1000 Rock Avenue
 San Jose, CA 95131
 TEL: 408-519-8888
 FAX: 408-519-9999
 E-MAIL: info@sparklepower.com

Sparkle Power Inc.
Los Angeles Office
 17071 Green Drive
 City of Industry, CA 91745
 TEL: 626-839-7180
 FAX: 626-839-3395

Sparkle Power Inc.
Colorado Office
 1316 Indian Paintbrush Lane
 Longmont, CO 80503
 TEL: 303-776-3281
 FAX: 303-776-7645



REF. D.	PIN NO.	SIGNAL	WIRE COLOR	GAUGE	CONNECTOR TYPE	LENGTH		
P1 / 24	1	+3.3V	ORANGE	20	JWY C4802H02 -A20P+ C4802H02 -A4P+ OR EQUIV	200±15 mm		
	2	+3.3V	ORANGE	20				
	3	COM	BLACK	20				
	4	+5V	RED	20				
	5	COM	BLACK	20				
	6	+5V	RED	20				
	7	COM	BLACK	20				
	8	PW-OK	GRAY	24				
	9	+5Vsb	PURPLE	20				
	10	+12V2	YELLOW	20				
	11	+12V2	YELLOW	20				
	12	+3.3V	ORANGE	20				
	13	+3.3V	ORANGE	20				
	14	+3.3Vb	BROWN	24				
	15	-12V	BLUE	24				
	16	COM	BLACK	20				
	17	COM	BLACK	20				
	18	COM	BLACK	20				
	19	COM	BLACK	20				
	20							
	21	+5V	RED	20				
	22	+5V	RED	20				
	23	+5V	RED	20				
	24	COM	BLACK	20				
PA	1	+12V2	YELLOW	20	AMP 480424-0 or EQUIV.	250±15 mm		
	2	COM	BLACK	20				
	3	COM	BLACK	20				
	4	+5V	RED	20				
PC	1	+12V2	YELLOW	20	AMP 480424-0 or EQUIV.	310±15 mm		
	2	COM	BLACK	20				
	3	COM	BLACK	20				
	4	+5V	RED	20				
PB	1	+12V2	YELLOW	20	AMP 171822-4 or EQUIV.	150±10 mm		
	2	COM	BLACK	20				
	3	COM	BLACK	20				
	4	+5V	RED	20				
PD	1	+12V2	YELLOW	20	AMP 480424-0 or EQUIV.	150±10 mm		
	2	COM	BLACK	20				
	3	COM	BLACK	20				
	4	+5V	RED	20				
PE	1	COM	BLACK	20	MOLEX 39-01-2040 or EQUIV.	310±15 mm		
	2	COM	BLACK	20				
	3	+12V1	YELLOW	20				
	4	+12V1	YELLOW	20				
PF	1	+12V2	YELLOW	20	C11271H80 -18P or EQUIV.	310±15 mm		
	2	COM	BLACK	20				
	3	+5V	RED	20				
	4	COM	BLACK	20				
	5	+3.3V	ORANGE	20				
PG	1	+12V2	YELLOW	20	C11270H00 -15P or EQUIV.	150±10 mm		
	2	COM	BLACK	20				
	3	+5V	RED	20				
	4	COM	BLACK	20				
	5	+3.3V	ORANGE	20				

NOTE:

1. ALL THE LENGTH OF OUTPUT WIRES EXCLUDE HOUSING.
2. 產地標籤依業務指示加貼.

UNIT:mm

FSP P/N.:9PA1803502
SPI P/N.:SPI180LE

MODEL NO. :	SPI180LE (S03001)	TITLE: ASSY	SHEET: 1 OF 1	REV:01
R&D (2)	PE	DRAWN	DATE	
			May.08.2007	
INTERIOR COUNTERSIGN:			黃鈺婷	