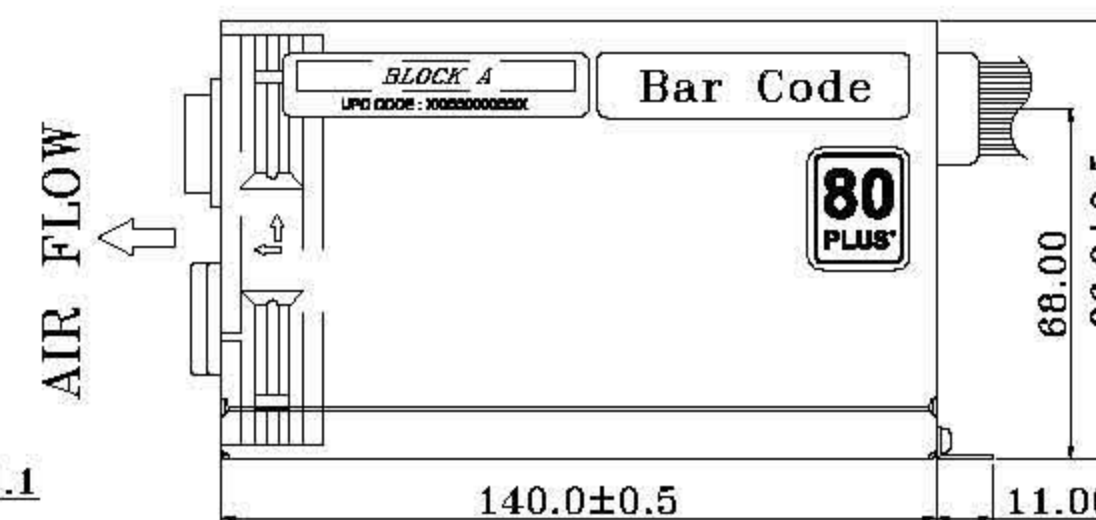
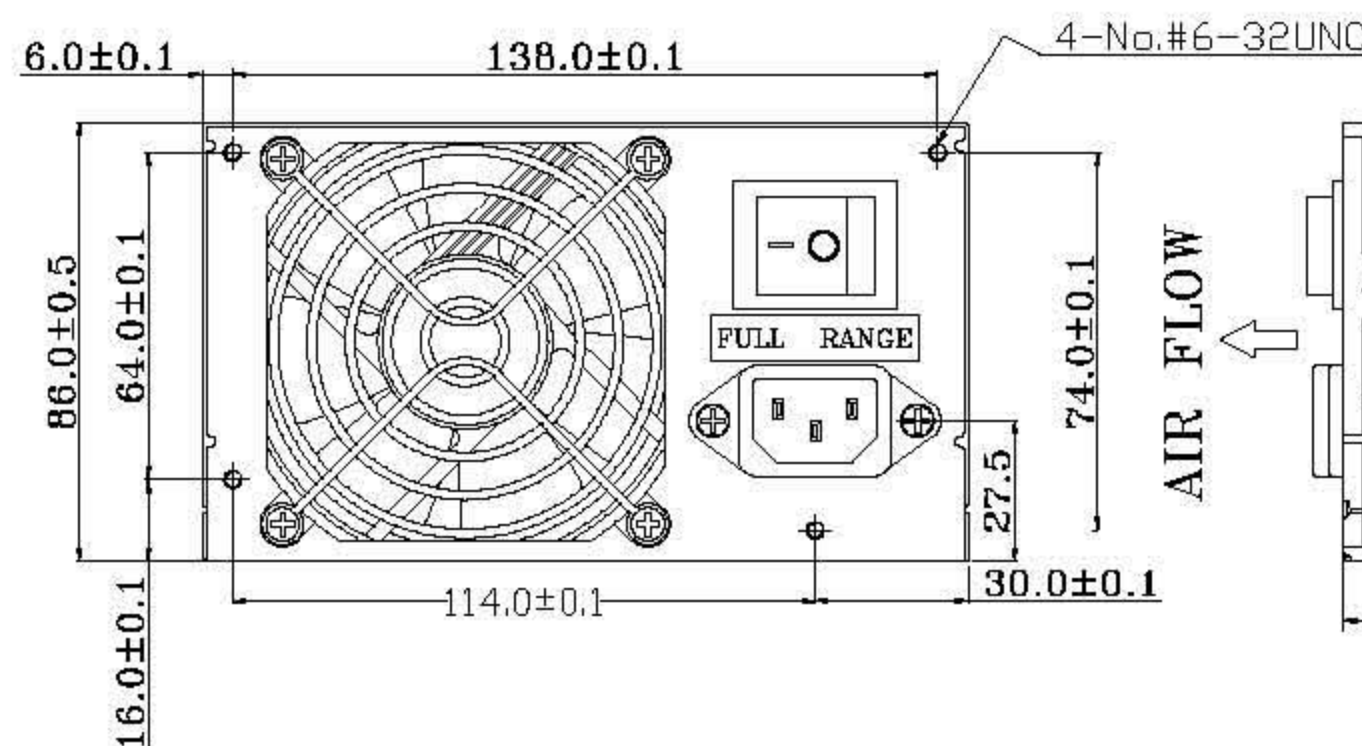
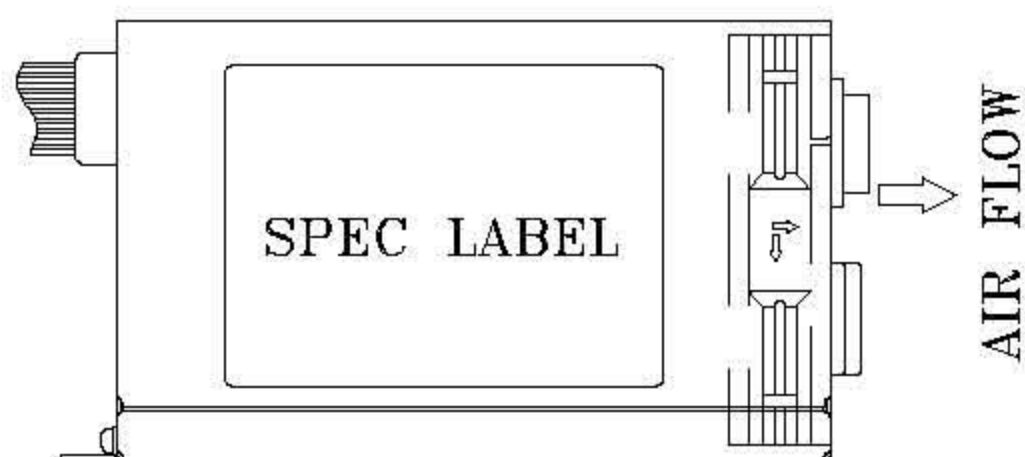


FSP研發部
96.02.05
暫用文件

PG	1	+12V2	YELLOW	18	CL1271E00-16P or Equiv	500±15mm
	2	COM	BLACK	18		
	3	+5V	RED	18		
	4	COM	BLACK	18		
	5	+3.3VDC	ORANGE	18		
PH	1	+12V2	YELLOW	18	CL1271E00-16P or Equiv	200±10mm
	2	COM	BLACK	18		
	3	+5V	RED	18		
	4	COM	BLACK	18		
	5	+3.3VDC	ORANGE	18		

REF. ID.	PIN NO.	SIGNAL	WIRE COLOR	GAUGE	CONNECTOR TYPE	CABLE LENGTH		
P1	1	+3.3VDC	ORANGE	18	JWT C4202H02 -A20P+ C4202H02 -A4P+ OR EQUIV	500±15mm		
	2	+3.3VDC	ORANGE	18				
	3	COM	BLACK	18				
	4	+5VDC	RED	18				
	5	COM	BLACK	18				
	6	+5VDC	RED	18				
	7	COM	BLACK	18				
	8	FW-OK	GRAY	24				
	9	+5Vsb	PURPLE	18				
	10	+12V2	YELLOW	18				
	11	+12V2	YELLOW	18				
	12	+3.3VDC	ORANGE	18				
	13	+3.3VDC	ORANGE	18				
	14	+3.3V	BROWN	24				
	15	-12VDC	BLUE	24				
	16	COM	BLACK	18				
	17	PS-ON	GREEN	24				
	18	COM	BLACK	18				
	19	COM	BLACK	18				
	20							
	21	+5VDC	RED	18				
	22	+5VDC	RED	18				
	23	+5VDC	RED	18				
	24	COM	BLACK	18				
PA	1	+12V2	YELLOW	18	AMP 1-480424-0 or EQUIV.	430±15mm		
PD	2	COM	BLACK	18				
	3	COM	BLACK	18				
	4	+5VDC	RED	18				
PB	1	+12V2	YELLOW	18	AMP 1-480424-0 or EQUIV.	150±10mm		
PC	2	COM	BLACK	18				
PE	3	COM	BLACK	18				
	4	+5VDC	RED	18				
PF	1	+12V2	YELLOW	22	AMP 171822-4 or EQUIV.	150±10mm		
	2	COM	BLACK	22				
	3	COM	BLACK	22				
	4	+5VDC	RED	22				
P2	1	COM	BLACK	18	P4-I42002K3B + P4-I42002K4B or EQUIV.	500±15mm		
	2	COM	BLACK	18				
	3	COM	BLACK	18				
	4	COM	BLACK	18				
	5	+12V1	YEL/BLACK	18				
	6	+12V1	YEL/BLACK	18				
	7	+12V1	YEL/BLACK	18				
	8	+12V1	YEL/BLACK	18				
P3	1	+12V2	YELLOW	18	C4202H00- 2*3PA-RP or EQUIV	500±15mm		
	2	+12V2	YELLOW	18				
	3	+12V2	YELLOW	18				
	4	COM	BLACK	18				
	5	COM	BLACK	18				
	6	COM	BLACK	18				



SPI P/N: SPI460PFB-B204

NOTE:

1. ALL THE LENGTH OF OUTPUT WIRES EXCLUDE HOUSING.
2. 產地標籤依業務指示加貼.

UNIT:mm

MODEL NO. :	SPI460PFB	TITLE: ASSY	SHEET: 1 OF 1	REV:02
R&D(2)	PE	DRAWN	DATE	
			Feb.05.2007	
INTERIOR COUNTERSIGN:			黃鈺婷	