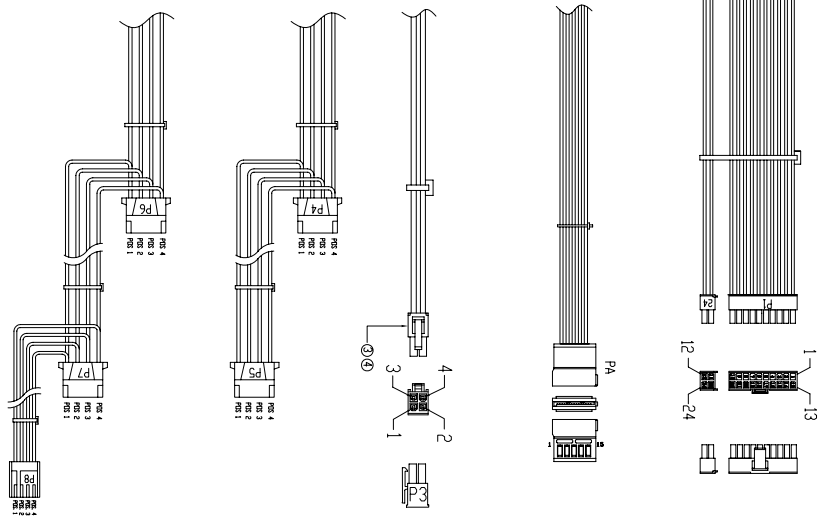
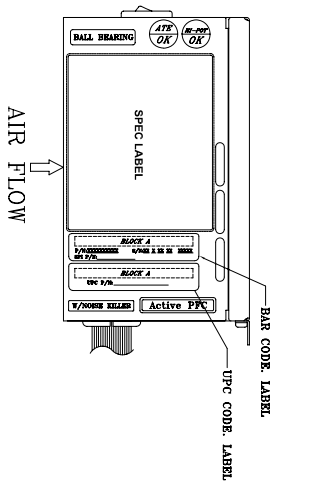
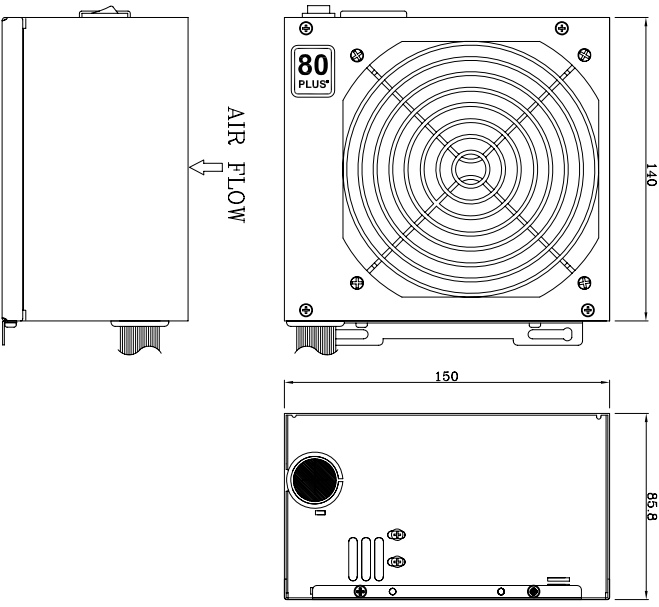
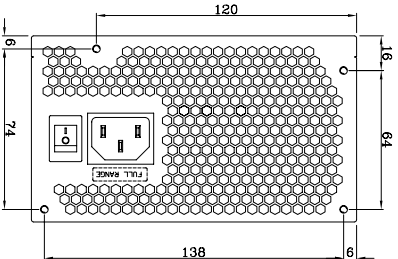


REF. ID.	PIN NO.	SIGNAL	WIRE COLOR	GAUGE	CONNECTOR TYPE	CABLE LENGTH
P1	1	+3.3VDC	ORANGE	18	Molex CL270H00 19P or EQUIV.	320 ±10 mm
	2	+3.3VDC	ORANGE	18		
	3	COM	BLACK	18		
	4	+5VDC	RED	18		
	5	COM	BLACK	18		
	6	+5VDC	RED	18		
	7	COM	BLACK	18		
	8	PW-OK	GRAY	24		
	9	+5Vsb	PURPLE	20		
	10	+12V1	YELLOW	16		
	11	+12V1	YELLOW	16		
	12	+3.3VDC	ORANGE	18		
	13	+3.3VDC	ORANGE	18		
	14	-12VDC	BROWN	24		
	15	-12VDC	BLUE	24		
	16	PS-ON	GREEN	24		
	17	COM	BLACK	18		
	18	COM	BLACK	18		
	19	COM	BLACK	18		
	20	COM	BLACK	18		
PA	1	+5VDC	RED	18	Molex 39-01-2040 320 ±10 mm or EQUIV.	400 ±10 mm
	2	+5VDC	RED	18		
	3	+5VDC	RED	18		
	4	COM	BLACK	18		
P3	1	COM	BLACK	16	Molex 39-01-2040 320 ±10 mm or EQUIV.	400 ±10 mm
	2	COM	BLACK	16		
	3	+12V2	YEL/BLK	16		
	4	+12V2	YEL/BLK	16		
P4	1	+12V1	YELLOW	20	AMP	150±10mm
	2	COM	BLACK	20		
	3	COM	BLACK	20		
	4	+5V	RED	20		
P5	1	+12V1	YELLOW	22	AMP	150±10mm
	2	COM	BLACK	22		
	3	COM	BLACK	22		
	4	+5V	RED	22		
P6	1	+12V1	YELLOW	20	AMP	320 ±10 mm
	2	COM	BLACK	20		
	3	COM	BLACK	20		
	4	+5V	RED	20		
P7	1	+12V1	YELLOW	20	AMP	150±10mm
	2	COM	BLACK	20		
	3	COM	BLACK	20		
	4	+5V	RED	20		
P8	1	+5V	RED	24	AMP	150±10mm
	2	COM	BLACK	24		
	3	COM	BLACK	24		
	4	+12V1	YELLOW	24		

UNIT:mm

- NOTE:
- ALL THE LENGTH OF OUTPUT WIRES EXCLUDE HOUSING.
 - 產地標籤依業務指示加貼.

修改版次	序號	修改事項	修改者	備註
1	1	P1 +12V1 改為 16AWG P3 改為 16AWG, 線長 80PPLUS	周傑	



P/N.:9PA3508501
SP1 P/N.:SP1350GLN-B204

MODEL NO. :S.P1350GLN(S03001)	TITLE: ASSY	SHEET: 1 OF 1	REV:02
R&D(8)	PE	CHECKED	DESIGN
			DRAWN
			DATE
			OCT.24.2007
			ZHOUC