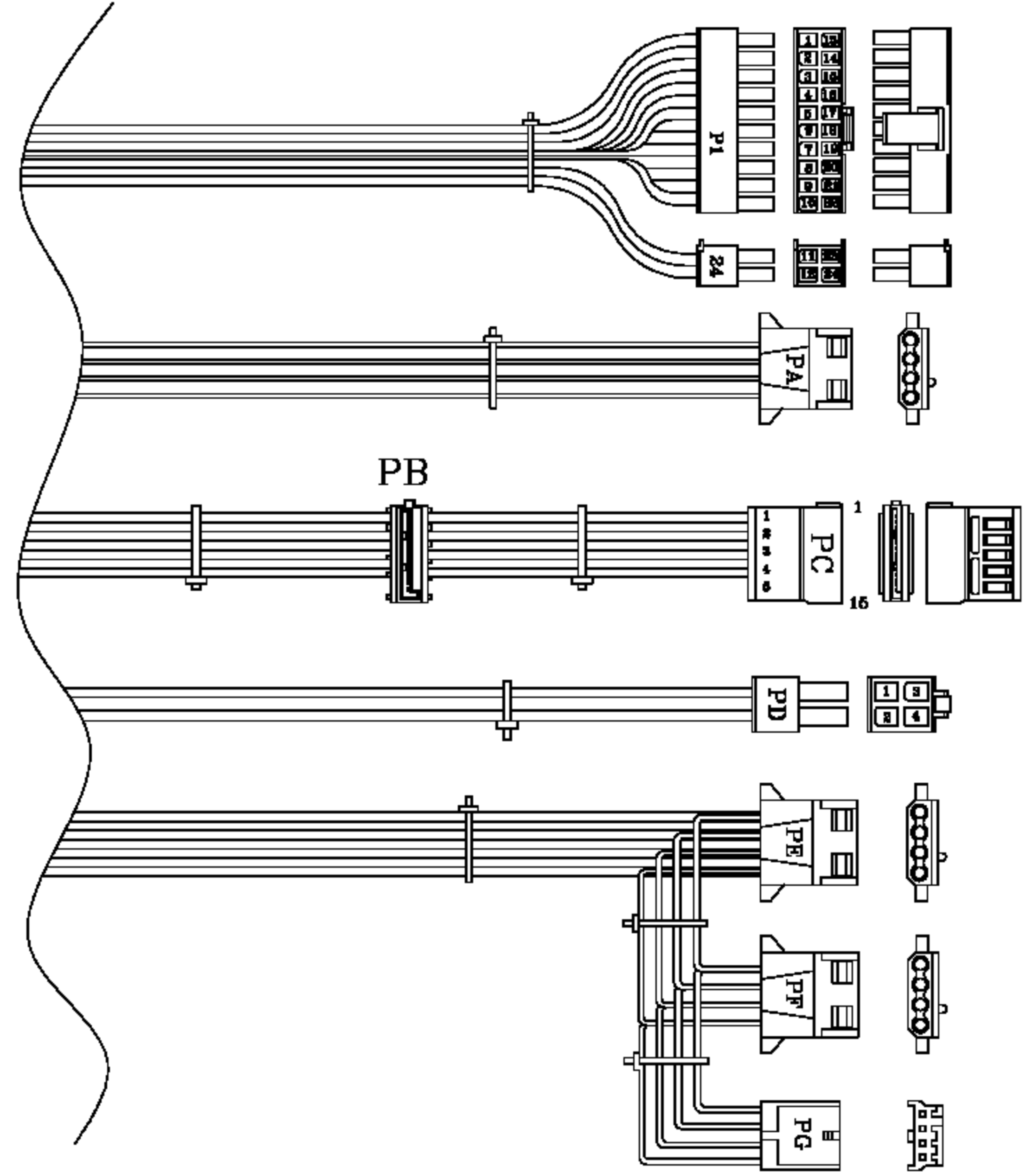
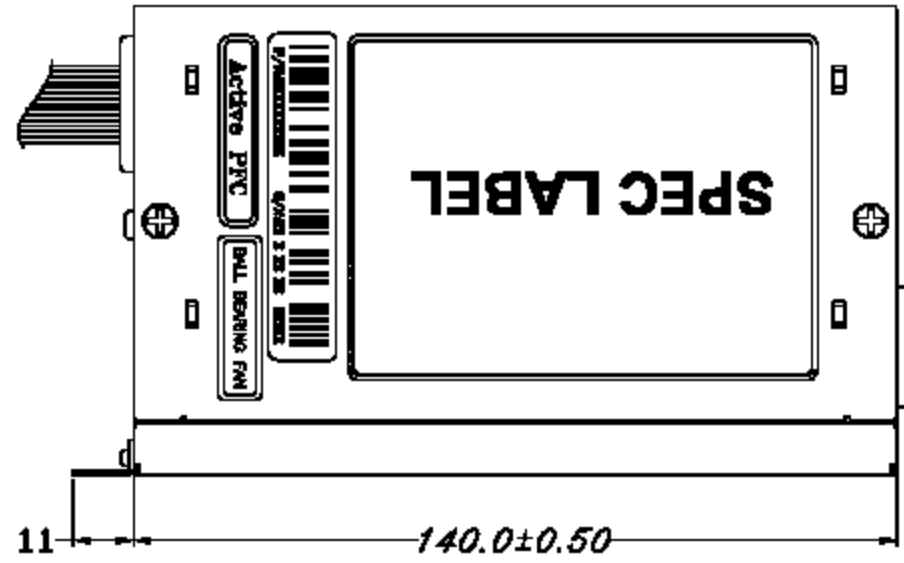
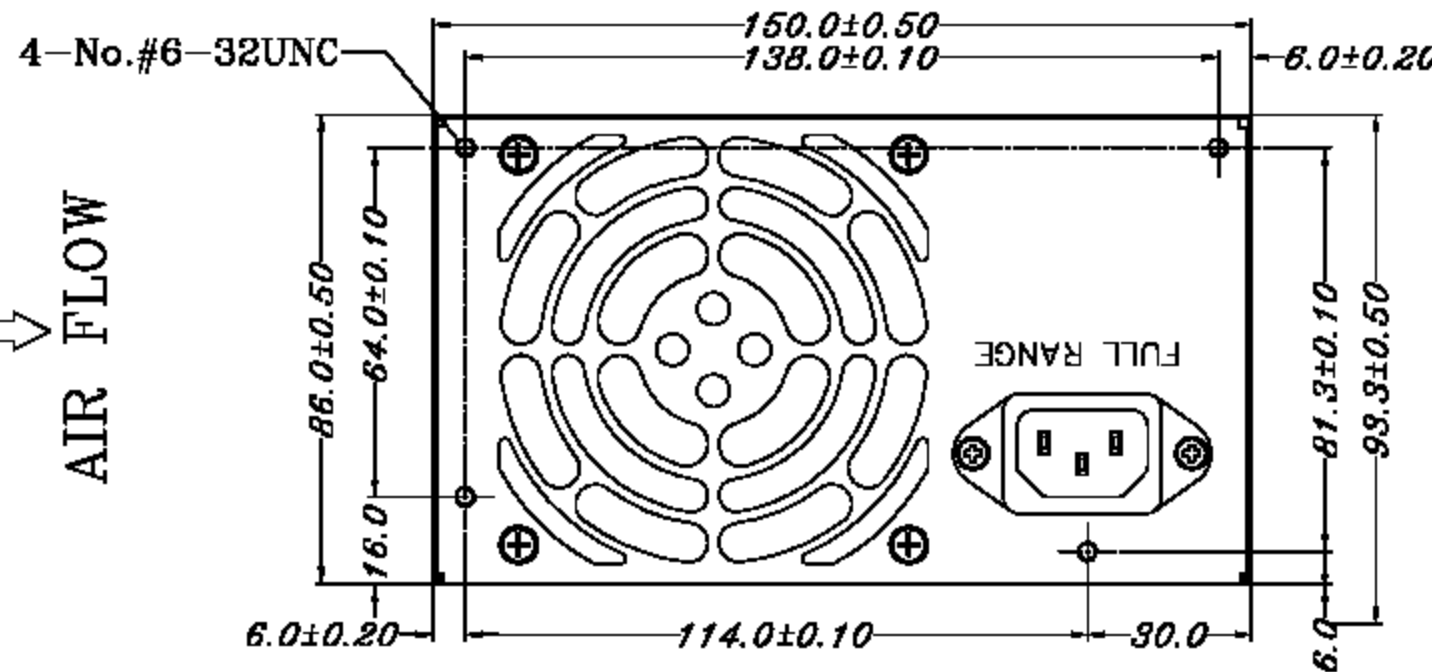
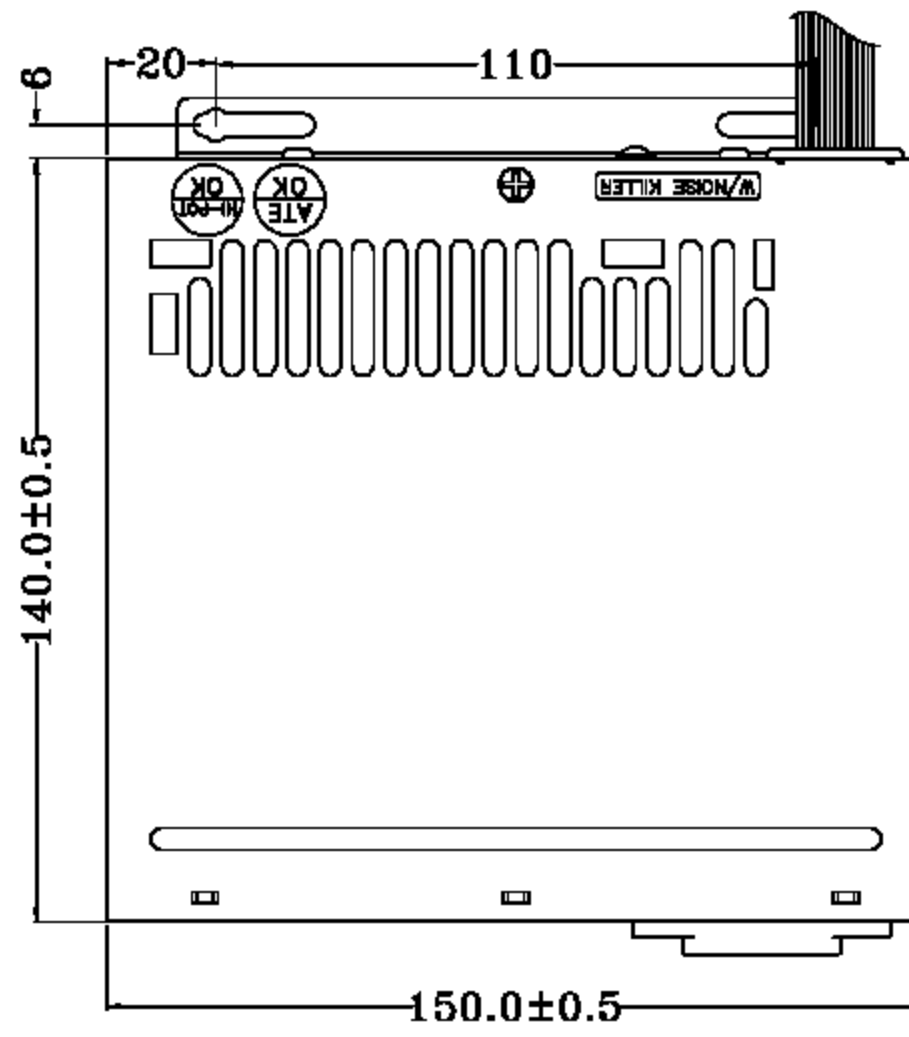
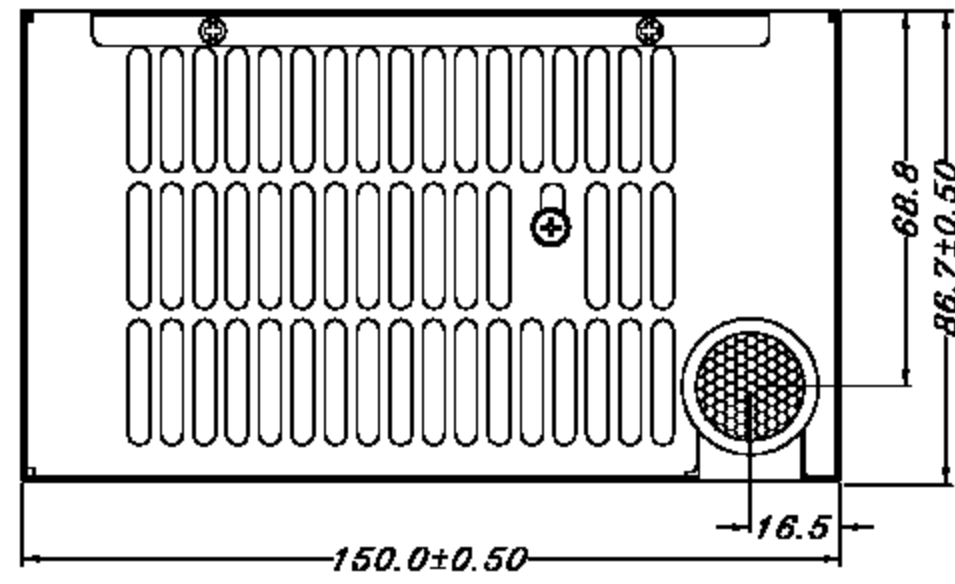


REF. ID.	PIN NO.	SIGNAL	WIRE COLOR	GAUGE	CONNECTOR TYPE	CABLE LENGTH
P1	1	+3.3VDC	ORANGE	18	JWT 2402808-AB0P /A4P OR EQUIV.	300+30mm -10
	2	+3.3VDC	ORANGE	18		
	3	COM	BLACK	18		
	4	+5VDC	RED	18		
	5	COM	BLACK	18		
	6	+5VDC	RED	18		
	7	COM	BLACK	18		
	8	PW-OK	GRAY	24		
	9	+5Vsb	PURPLE	18		
	10	+12VDC	YELLOW	18		
	11	+12VDC	YELLOW	18		
	12	+3.3VDC	ORANGE	18		
	13	+3.3VDC	ORANGE	20		
	14	COM	BROWN	24		
	14	-12VDC	BLUE	24		
	16	COM	BLACK	18		
	16	PS-ON	GREEN	24		
	17	COM	BLACK	18		
	18	COM	BLACK	18		
	19	COM	BLACK	18		
20						
PA	1	+5VDC	RED	18	AMP 1-480424-0 OR EQUIV.	350+30mm -10
	2	+5VDC	RED	18		
	3	+5VDC	RED	18		
	4	COM	BLACK	18		
PB	1	+12V	YELLOW	18	MOLEX 50-87522-0011 OR EQUIV.	400+30mm -10
	2	COM	BLACK	18		
	3	+5V	RED	18		
	4	COM	BLACK	18		
PC	1	+12V	YELLOW	18	MOLEX 50-87522-0011 OR EQUIV.	120±10mm
	2	COM	BLACK	18		
	3	+5V	RED	18		
	4	COM	BLACK	18		
PD	1	COM	BLACK	18	MOLEX 39-01-2040 OR EQUIV.	250+30mm -10
	2	COM	BLACK	18		
	3	+12V	Yellow/Black	18		
	4	+12V	Yellow/Black	18		
PE	1	+12V	YELLOW	18	AMP 1-480424-0 OR EQUIV.	200+30mm -10
	2	COM	BLACK	18		
	3	COM	BLACK	18		
	4	+5V	RED	18		
PF	1	+12V	YELLOW	18	AMP 1-480424-0 OR EQUIV.	120±10mm
	2	COM	BLACK	18		
	3	COM	BLACK	18		
	4	+5V	RED	18		
PG	1	+12V	YELLOW	22	AMP 171822-4 OR EQUIV.	180±10mm
	2	COM	BLACK	22		
	3	COM	BLACK	22		
	4	+5V	RED	22		



NOTE:

1. ALL THE LENGTH OF OUTPUT WIRES EXCLUDE HOUSING.

UNIT:mm

FSP P/N.:9PA250BR01
SPI P/N.:SPI 250EP-B204

MODEL NO. : SPI250EP(S03001)		TITLE: ASSY	SHEET: 1 OF 1	REV:01
R&D(1)	PE	DRAWN	DATE	
				JUN.27.2007