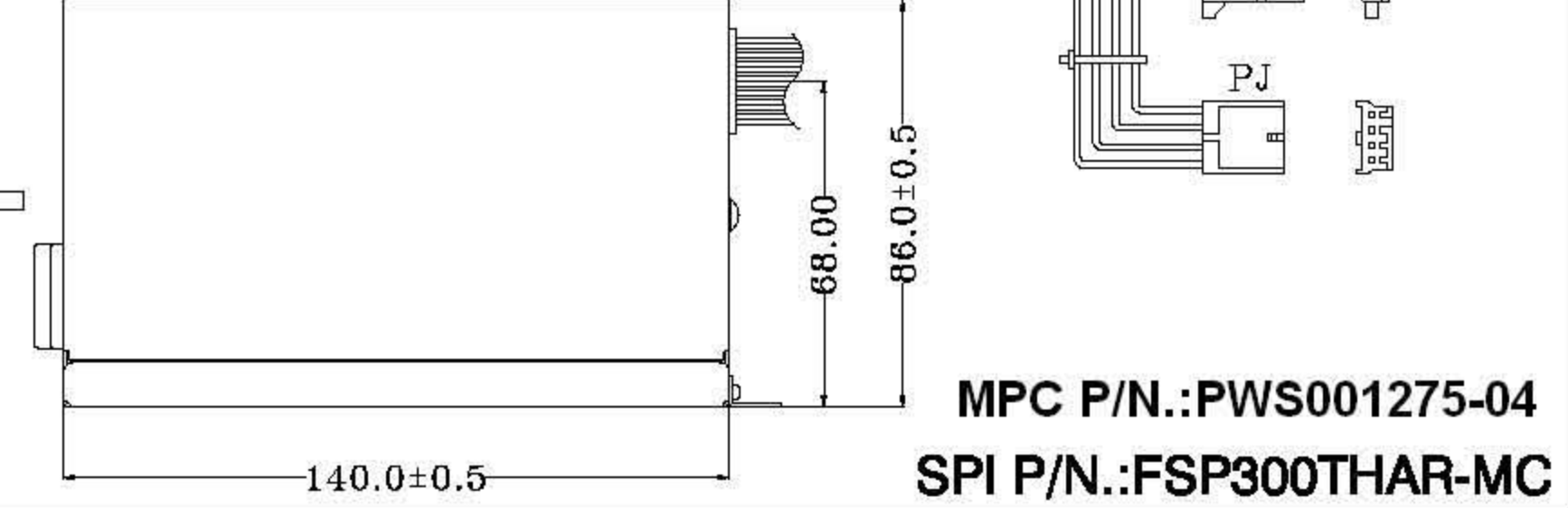
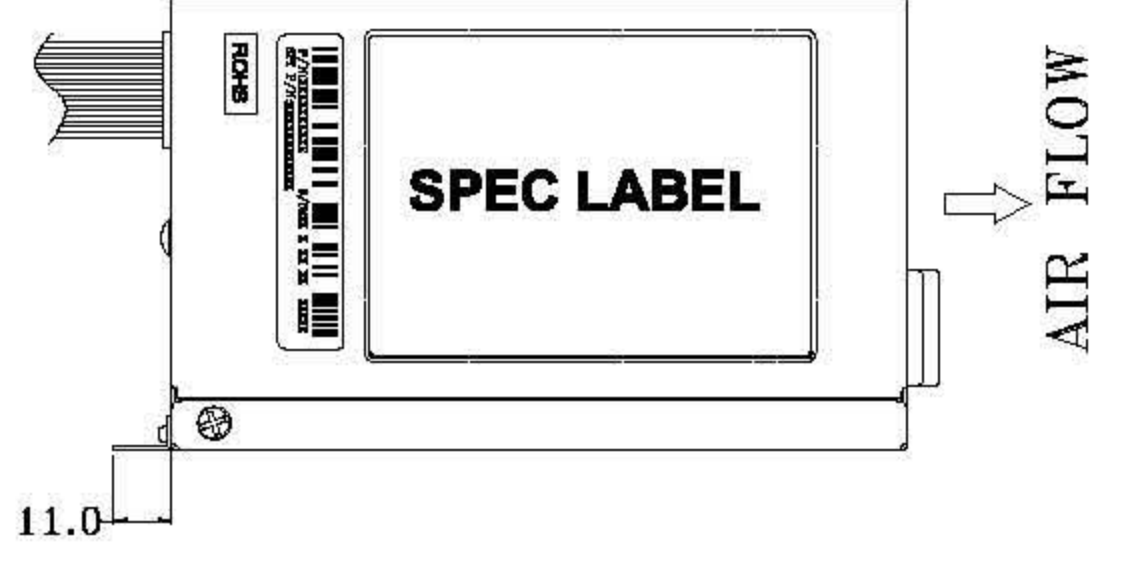
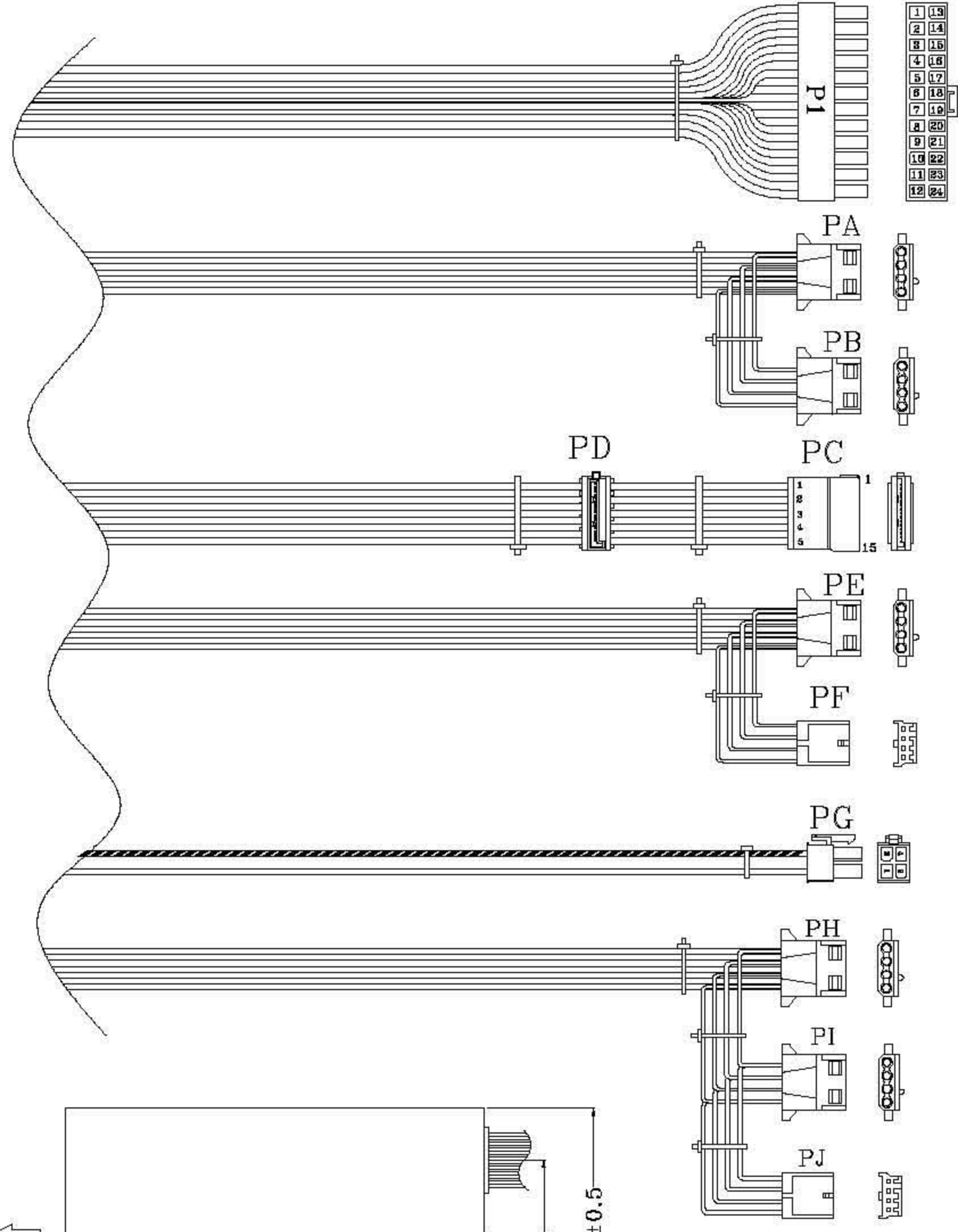
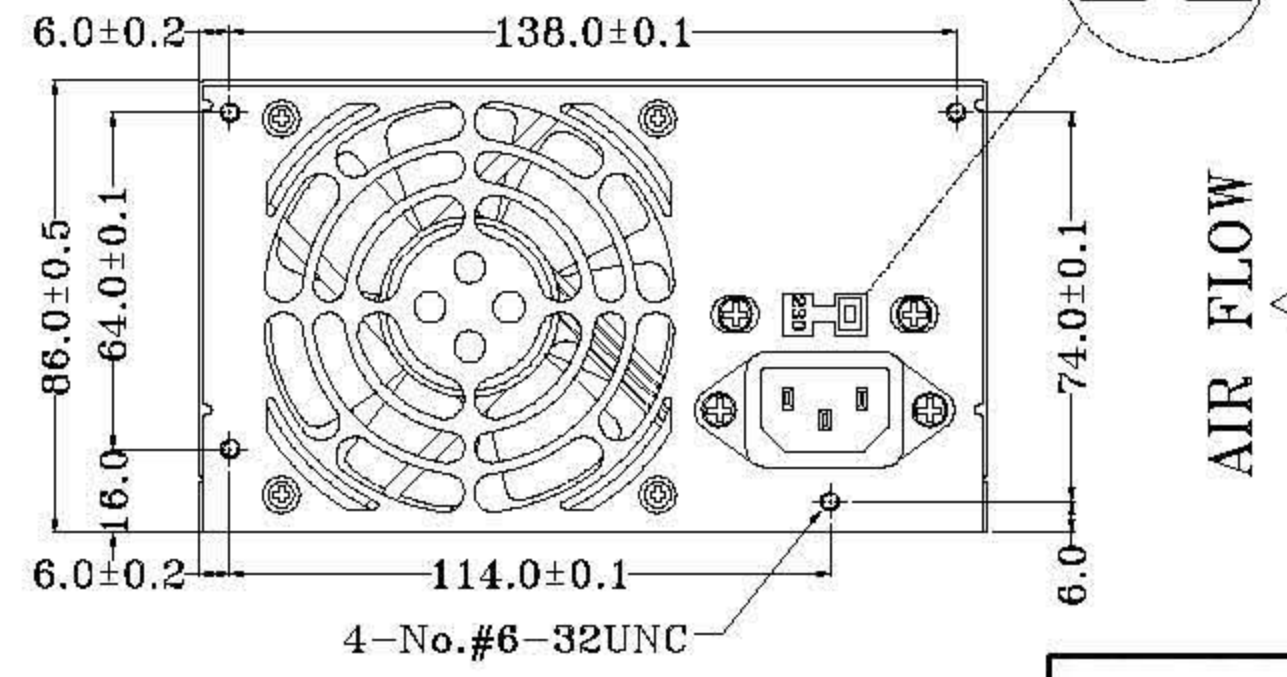
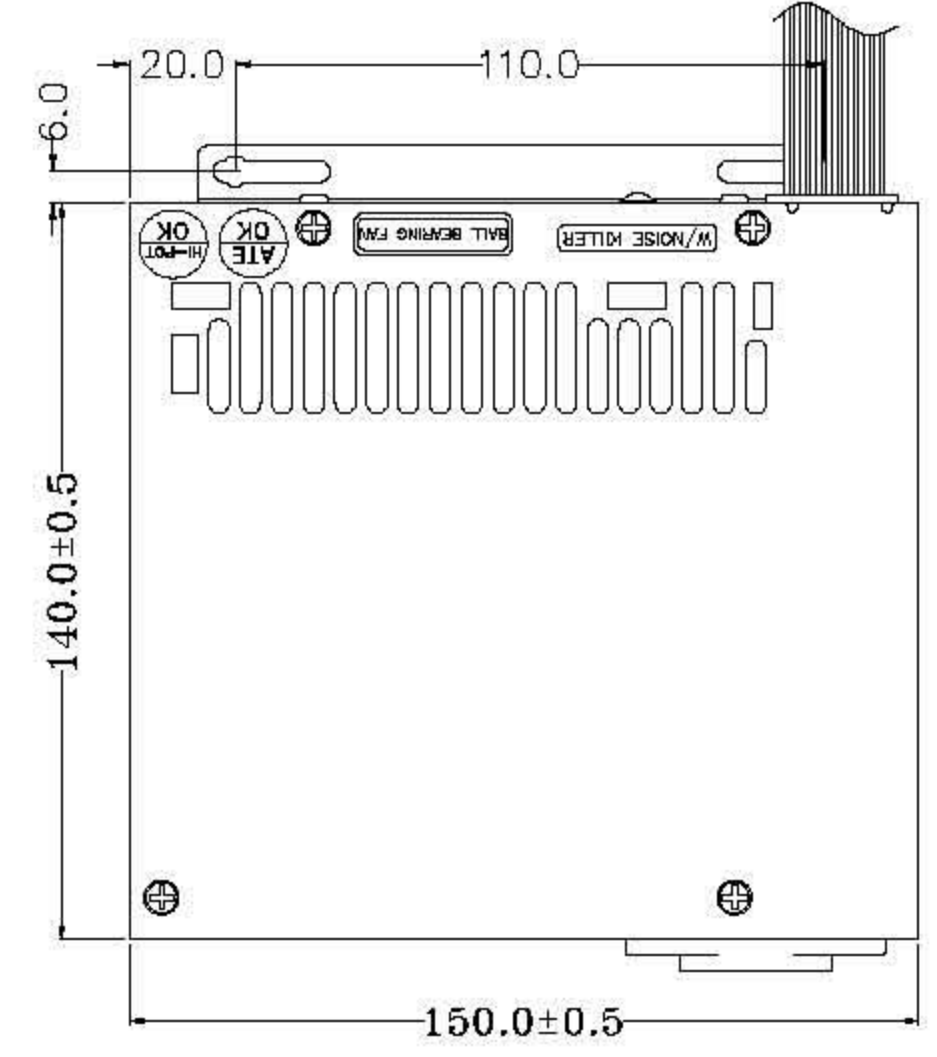
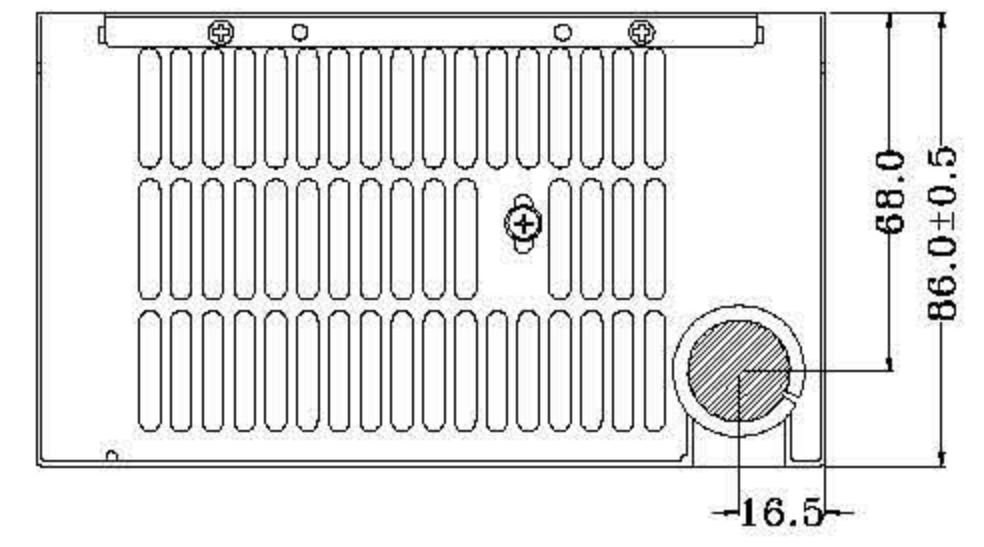


REF. ID.	PIN NO.	SIGNAL	WIRE COLOR	GAUGE	CONNECTOR TYPE	CABLE LENGTH
P1	1	+3.3VDC	ORANGE	18	MOLEX 39-01-2240 or EQUIV.	350+30mm -10
	2	+3.3VDC	ORANGE	18		
	3	COM	BLACK	18		
	4	+5VDC	RED	18		
	5	COM	BLACK	18		
	6	+5VDC	RED	18		
	7	COM	BLACK	18		
	8	PW-OK	GRAY	24		
	9	+5Vab	PURPLE	18		
	10	+12VDC	YELLOW	18		
	11	+12VDC	YELLOW	18		
	12	+3.3VDC	ORANGE	18		
	13	+3.3VDC	ORANGE	20		
	14	COM	BROWN	24		
	15	+12VDC	YELLOW	24		
	16	COM	BLACK	18		
	17	FS-ON	GREEN	24		
	18	COM	BLACK	18		
	19	COM	BLACK	18		
	20	COM	BLACK	18		
	21	+5VDC	RED	18		
	22	+5VDC	RED	18		
	23	+5VDC	RED	18		
	24	COM	BLACK	18		
PA	1	+12V	YELLOW	18	AMP 1-480424-0 or EQUIV.	350+30mm -10
	2	COM	BLACK	18		
	3	COM	BLACK	18		
	4	+6V	RED	18		
PB	1	+12V	YELLOW	18	AMP 1-480424-0 or EQUIV.	156±10mm
	2	COM	BLACK	18		
	3	COM	BLACK	18		
	4	+6V	RED	18		
PC	1	+12V	YELLOW	18	15PIN SERIAL ATA	155±10mm
	2	COM	BLACK	18		
	3	+6V	RED	18		
	4	COM	BLACK	18		
	5	+3.3VDC	ORANGE	18		
PD	1	+12V	YELLOW	18	PS-11702000 or EQUIV.	350+30mm -10
	2	COM	BLACK	18		
	3	+5V	RED	18		
	4	COM	BLACK	18		
	5	+8.8VDC	ORANGE	18		
PE	1	+12V	YELLOW	18	AMP 1-480424-0 or EQUIV.	350+30mm -10
	2	COM	BLACK	18		
	3	COM	BLACK	18		
	4	+6V	RED	18		
PF	1	+12V	YELLOW	22	AMP 171822-4 or EQUIV.	155±10mm
	2	COM	BLACK	22		
	3	COM	BLACK	22		
	4	+6V	RED	22		
PG	1	COM	BLACK	18	MOLEX 39-01-2040 or EQUIV.	350+30mm -10
	2	COM	BLACK	18		
	3	+12V	YEL/BLK	18		
	4	+12V	YEL/BLK	18		
PH	1	+12V	YELLOW	18	AMP 1-480424-0 or EQUIV.	350+30mm -10
	2	COM	BLACK	18		
	3	COM	BLACK	18		
	4	+5V	RED	18		
PI	1	+12V	YELLOW	18	AMP 1-480424-0 or EQUIV.	155±10mm
	2	COM	BLACK	18		
	3	COM	BLACK	18		
	4	+5V	RED	18		
PJ	1	+12V	YELLOW	22	AMP 171822-4 or EQUIV.	155±10mm
	2	COM	BLACK	22		
	3	COM	BLACK	22		
	4	+5V	RED	22		



MPC P/N.: PWS001275-04
SPI P/N.: FSP300THAR-MC

NOTE:
1. ALL THE LENGTH OF OUTPUT WIRES EXCLUDE HOUSING.
2. 產地標籤依業務指示加貼.

UNIT:mm

APPROVE		PE	DRAWN		DATE
					APR.06.2006
INTERIOR COUNTERSIGN:					

文件資料管制 文件資料管制 文件資料管制

發行時間: 2006/4/13 10:49 上午
1 / 1 禁止翻印外洩